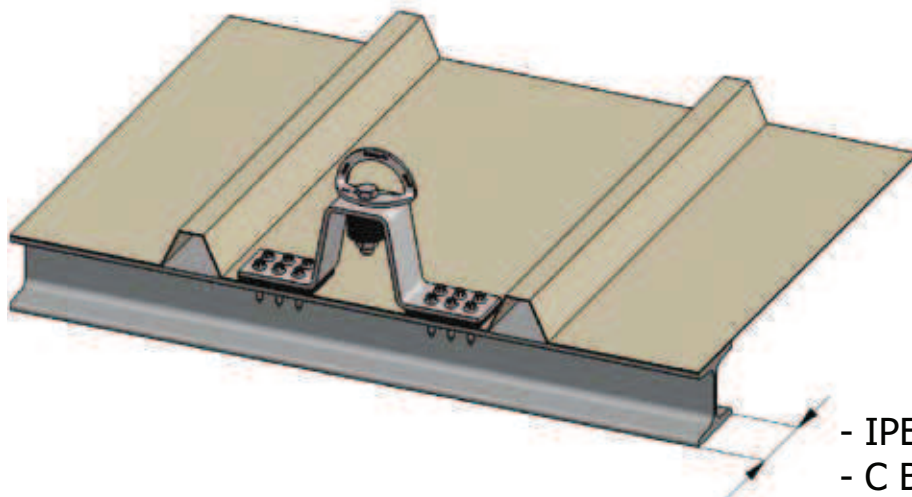


STEEL DECK ANCHORAGE

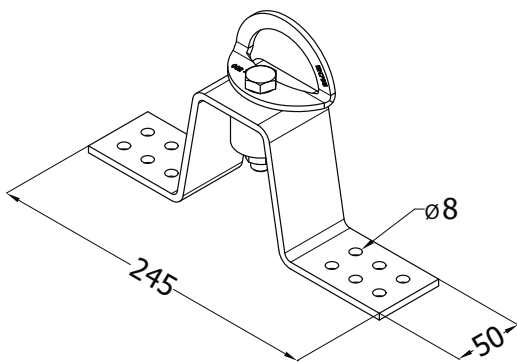


The **Steel DECK ANCHORAGE** is an anchorage system designed for steel deck roofing. No cutting or amendment of the roofing complex is necessary. The Steel DECK ANCHORAGE is equipped with an energy dissipater and is supplied with a stainless steel FIXED ANCHORAGE 1 PLATE.



- IPE 80 min.
- C Beam min. thickness 2mm

Dimensions of the Steel deck anchorage



Technical details

- Fixing by auto-drilling screws on the metallic beam
- Fixing on beam equivalent to an IPE 80 or a C beam (min. thickness 2mm)
- Waterproofing assured by EPDM adhesive sole

