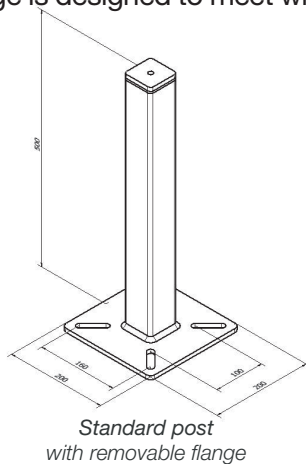
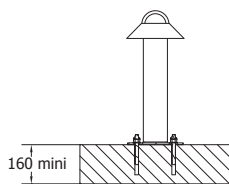


The **STANDARD ANCHORAGE POST** made of hot dip galvanized steel is supplied with an anchorage plate and a flange. This flange is designed to meet with industry standards for waterproofing.



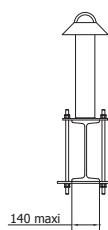
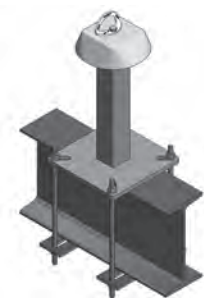
STANDARD Post for concrete deck



Technical details

- Fixing with 4 M12 chemical fixings
- Min. thickness of the concrete deck: 160mm (if the thickness of the concrete deck is less than 160mm, please contact us)

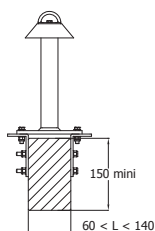
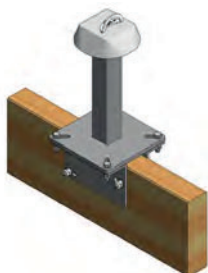
STANDARD Post for metallic / wood beam



Technical details

- Possible clamping on metallic and wood beam
- Clamping realized with a galvanized steel clamp and 4 threaded rods M12
- Max. thickness of the beam: 140mm
- Option: Big clamps for clamping on a beam with max. thickness 300mm

STANDARD Post for glue laminated timber beam



Technical details

- Fixing with 2 galvanized steel valleys and 2 M12 threaded rods
- Min. height of the beam: 150mm
- Thickness of the beam: between 60mm and 140mm