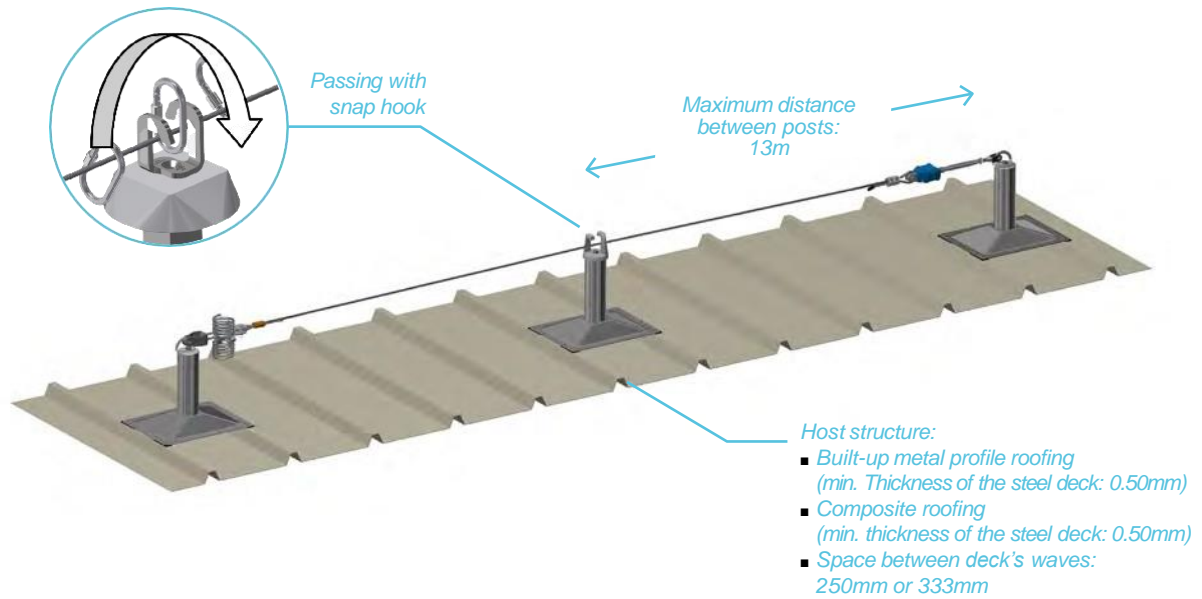
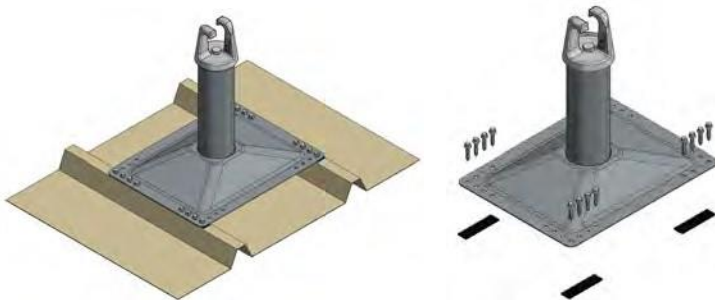


LIFELINE FOR COMPOSITE AND BUILT-UP METAL PROFILES ROOFING

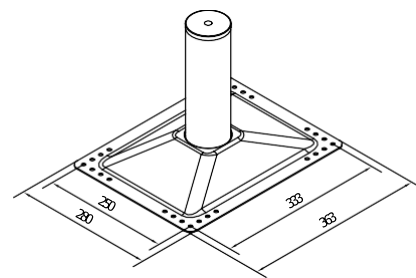


Fixing



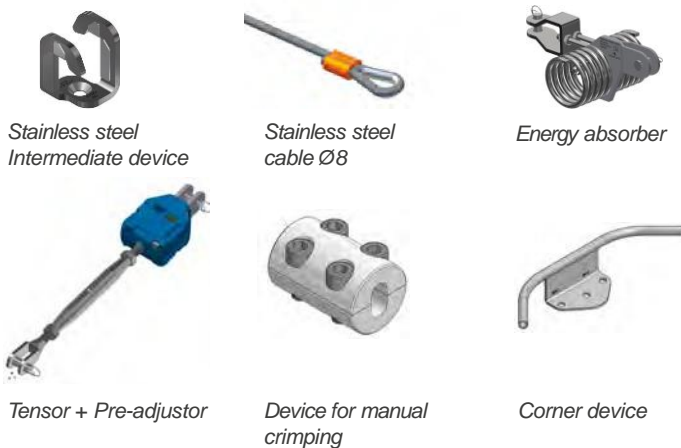
- Fixing with 16 auto-drilling screws equipped with waterproof washers
- Waterproofing assured by EPDM washers and EPDM adhesive tape

Dimensions



Absorber post

Accessories



Option

