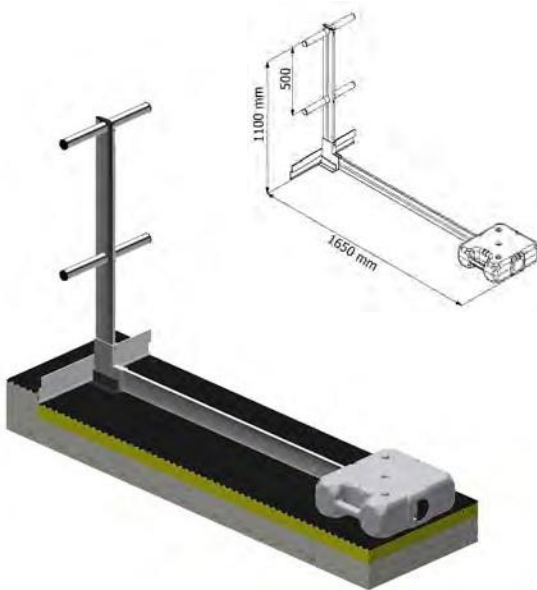


GM handrail, vertical or inclined at 22°, is installed on the periphery of inaccessible technical terraces to protect operators during maintenance operations.

This device can be installed on roofs with parapets and is available in raw, powder coated and anodized version.

It complies with the European standard EN 14122-3 : 2017 with a space of 1.40m between supports.

**FREESTANDING ALUMINIUM GUARDRAIL – Straight support**



**FREESTANDING ALUMINIUM GUARDRAIL – Inclined support**



Accessories



Aluminium superior rails  
Diameter = 38,6 mm  
(L=3000mm)



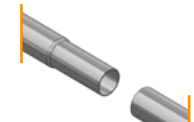
Aluminium inferior rails  
Diameter = 28,4 mm  
(L=3000mm)



Polythene finishing caps



Articulated polythene angle sleeve



Connection of the railings with necked in extremity



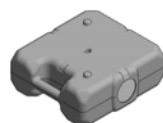
Aluminium sleeve for expansion joint



Aluminium skirting  
(L=3000mm)



Protective EPDM soles



Counterweight  
(25kg)

Available versions

	Freestanding aluminium guardrail
Straight support	✓
Inclined support	✓
Powder coating	✓
Anodization	✓
Collapsible	✓