

GUARDRAIL AND ROOF ACCESS

FREESTANDING T19 - ALUMINIUM (COMPLIES NF 85015)

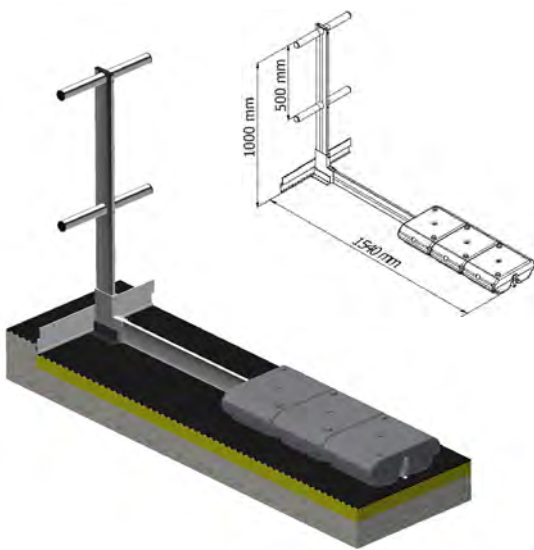


GM handrail, vertical or inclined at 22°, is installed on the periphery of inaccessible technical terraces to protect operators during maintenance operations.

This device can be installed on roofs with parapets and is available in raw, powder coated and anodized version.

It complies with the French standard NF85015 with a space of 1.50m between supports.

FREESTANDING ALUMINIUM GUARDRAIL – Straight support



FREESTANDING ALUMINIUM GUARDRAIL – Inclined support



Accessories



Aluminium rails (L=3000mm)



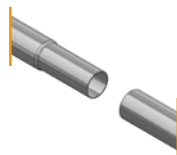
Polythene finishing caps



Aluminium sleeve for expansion joint



Articulated polythene angle sleeve



Connection of the railings with necked in extremity



Aluminium skirting (L=3000mm)



Counterweight (12,5kg)



Protective EPDM soles

Available versions

	Aluminium freestanding guardrail Aluminium support
Straight support	✓
Inclined support	✓
Powder coating	✓
Anodization	✓
Collapsible	✓