

GUARDRAIL AND ROOF ACCESS

ALUMINIUM FIXED T22

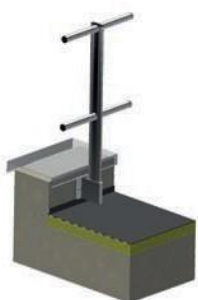


Guidelines

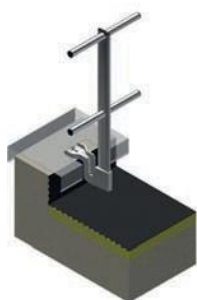
GM fixed handrail, vertical or inclined at 22°, is installed on the periphery of inaccessible technical terraces to protect operators during maintenance operations.

This device can be installed on roofs with parapets and is available in raw, powder coated and anodized version.

It complies with both the French standard NF85015 and the European standard EN 14122-3 : 2017 with a space of 1.60m between supports.



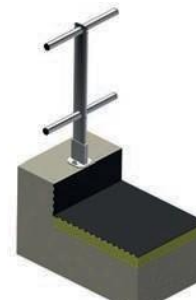
*Vertical plate fixing,
straight support*



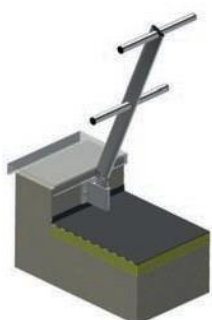
*Fixing under covering
(parapet without insulation)
Straight support*



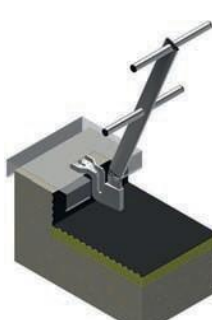
*Fixing under covering
(parapet with insulation)
Straight support*



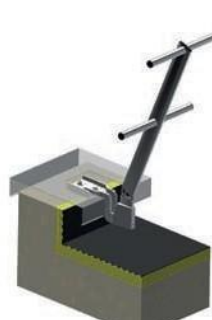
*Fixing on top of parapet
Straight support*



*Vertical plate fixing,
inclined support*



*Fixing under covering
(parapet without insulation)
Inclined support*



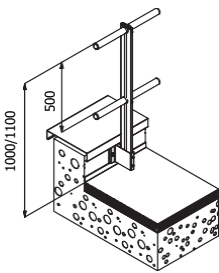
*Fixing under covering
(parapet with insulation)
Inclined support*



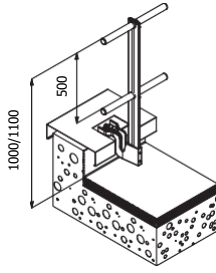
*Fixing on top of parapet
Inclined support*



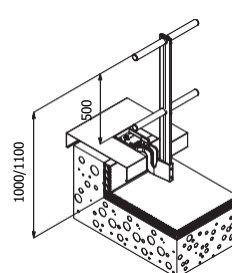
Dimensions



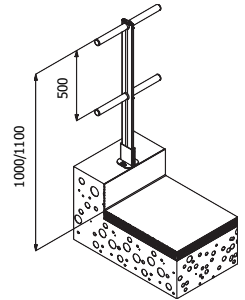
Vertical plate fixing



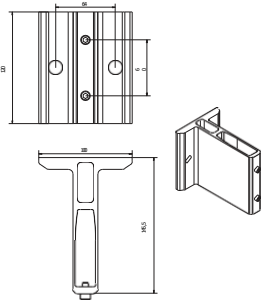
Fixing under covering
(parapet without insulation)



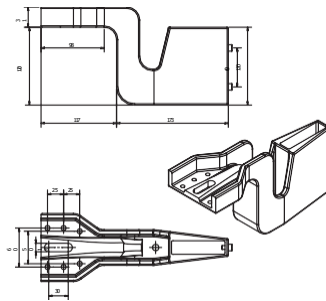
Fixing under covering
(parapet with insulation)



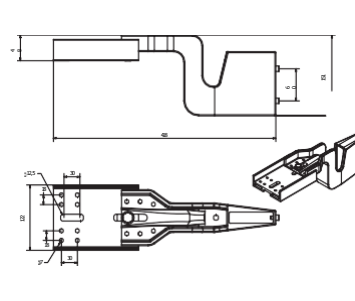
Fixing on top of parapet



Vertical plate



Standard Z plate



Extended Z Plate

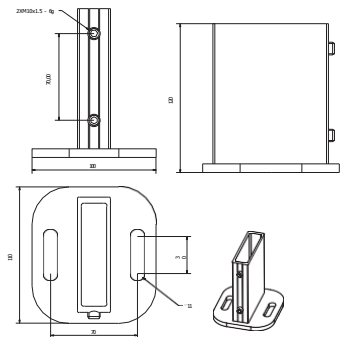


Plate fixing on top

Accessories



Aluminium superior rails
Diameter = 38.6mm
(L=2900mm)



Aluminium inferior rails
Diameter = 28.6mm
(L=2900mm)



Polythene finishing caps



Articulated polythene angle sleeve



Connection of the railings with necked in extremity



Aluminium skirting
(L=3000mm)



Inclination bend

Technical characteristics

	Roof terrace with parapet	Roof terrace without parapet	Metal profiled roofing	
Host structure	✔	✘	✘	
	Side of parapet	On top of parapet	Under covering	Screws and bolts + EPDM washers
Type of fixing	✔	✔	✔	✘
		Aluminium		Hot dip galvanized steel
Intervention needed on waterproofing complex	Yes	✔		✘
Adjustable height of the railings	No			