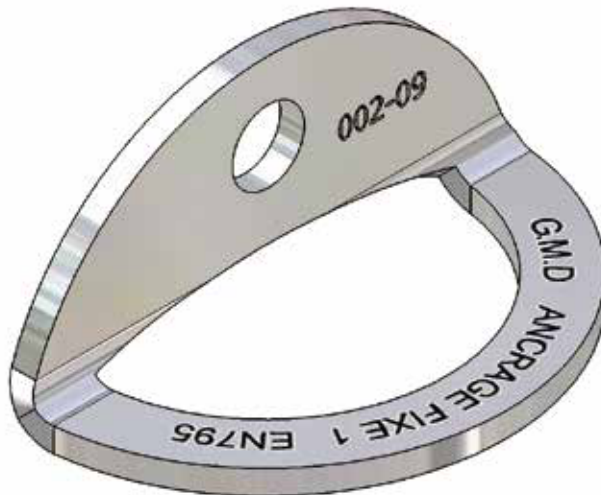
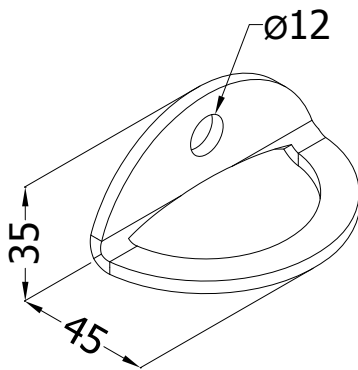


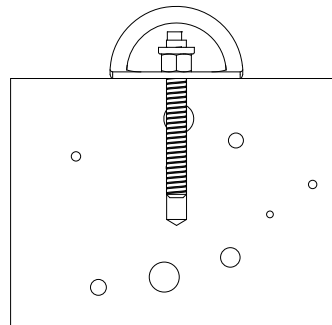
The **FIXED ANCHORAGE 1** plate in **stainless steel** is designed to be fixed on concrete walls, metallic structure...



Dimensions of the Fixed anchorage 1



Cut view of the fixing



Technical details

- Fixing with chemical fixing or M12 screw