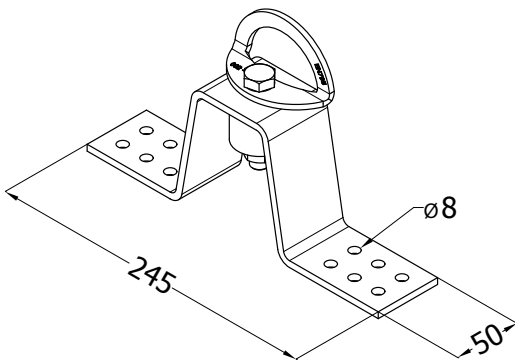


The **FIBRECEMENT ROOFING ANCHORAGE** is an anchorage system designed for fibreceement roofing. No cutting or amendment of the roofing complex is necessary. The FIBRECEMENT ROOFING ANCHORAGE is equipped with an energy dissipator and is supplied with a stainless steel FIXED ANCHORAGE 1 PLATE.



IPE 80 min.
C Beam min. thickness 2mm

Dimensions of the Fibreacement roofing anchorage



Technical details

- Fixing by auto-drilling screws on the metallic beam
- Fixing on beam equivalent to an IPE 80 or a C beam (Min. thickness 2mm)
- Waterproofing assured by EPDM pads to fit the waves of the roofing