

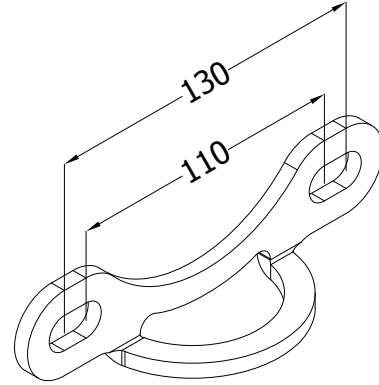


### Fixed Anchorage 2

The **FIXED ANCHORAGE 2 plate** in stainless steel is designed to be fixed on a concrete wall, metallic structure...

#### Technical details

- 2 oblong holes to make the installation easier
- 2 fixing points for chemical fixings or M12 screws



### Fixed Anchorage ALU

The **FIXED ANCHORAGE ALU plate** is moulded in a high resistance aluminium alloy. It is designed to be fixed on a concrete wall, metallic structure...

#### Technical details

- 2 oblong holes to make the installation easier
- 2 fixing points for chemical fixings or M12 screws

